

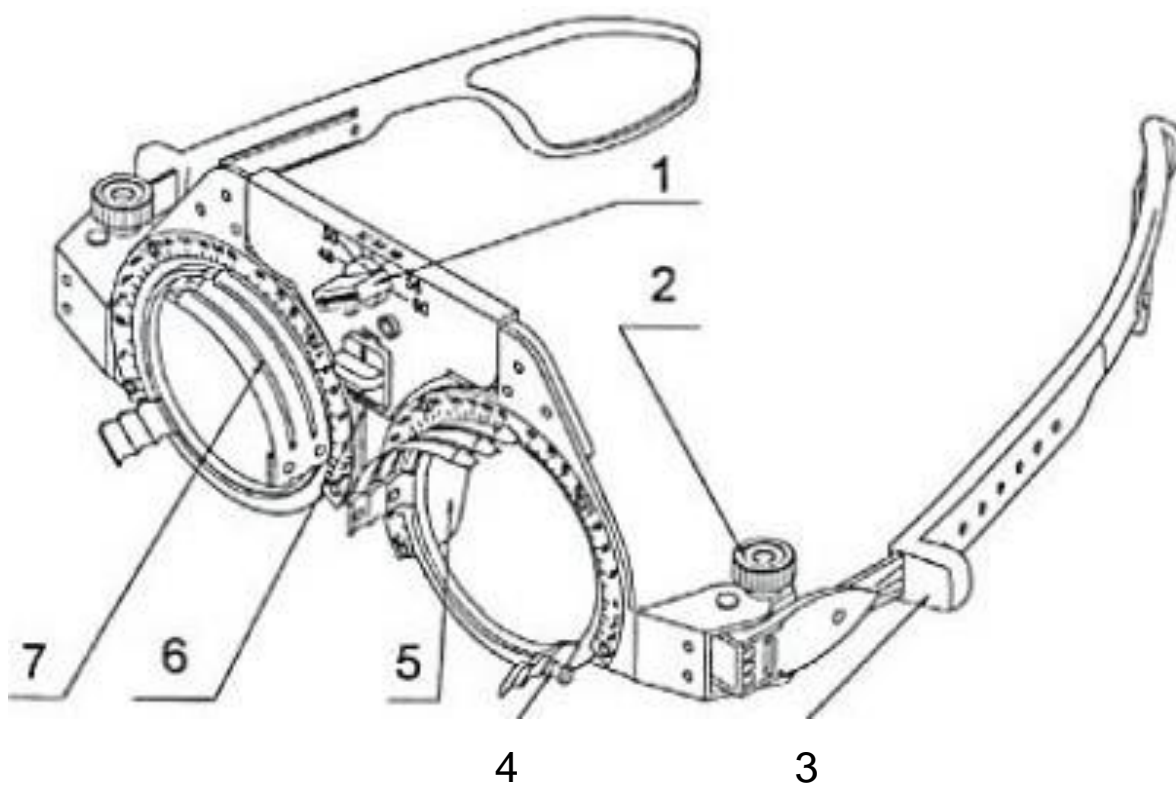
1. Introduction

Thank you for choosing this trial frame. It is the Trial Frame that ophthalmologist and optometrists have been asking for, easy to use, lightweight, and best of all, economical. This trial frame is mere 47g weight which is the lightest trial frame around the world. It is easy to use by the ophthalmologist and optometrists with less adjustment needed to obtain a proper and comfortable fit onto your patient. The lightweight plastic and metal construction will ensure many years of use.

2. Specification

- P.O. is adjustable from 54mm to 70mm.
- Axis of astigmatism
- One touch adjustment on nose pad
Easy slide-on temples
- Temple with spring hinge
Available in angle and length
- Accommodate up to four 38mm trial lenses
Light 47g, Simple, Reason

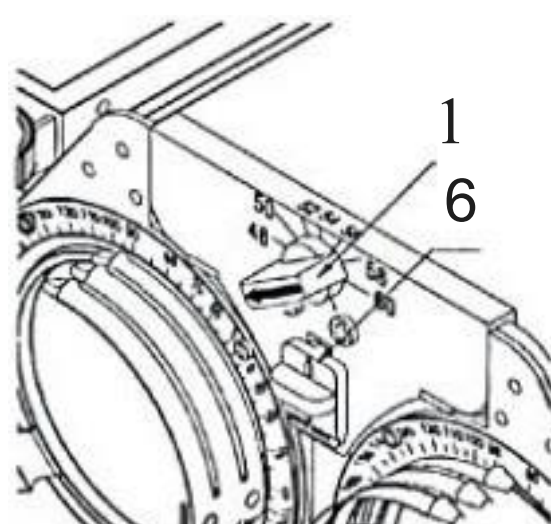
3. How to use



- | | |
|-----------------------|---------------------------|
| (1) PD adjusting knob | (2) temple-adjusting knob |
| (3) temple cover | (4) revolving knob |
| (5) nose pad | (6) pad adjusting button |
| (7) spring piece | |

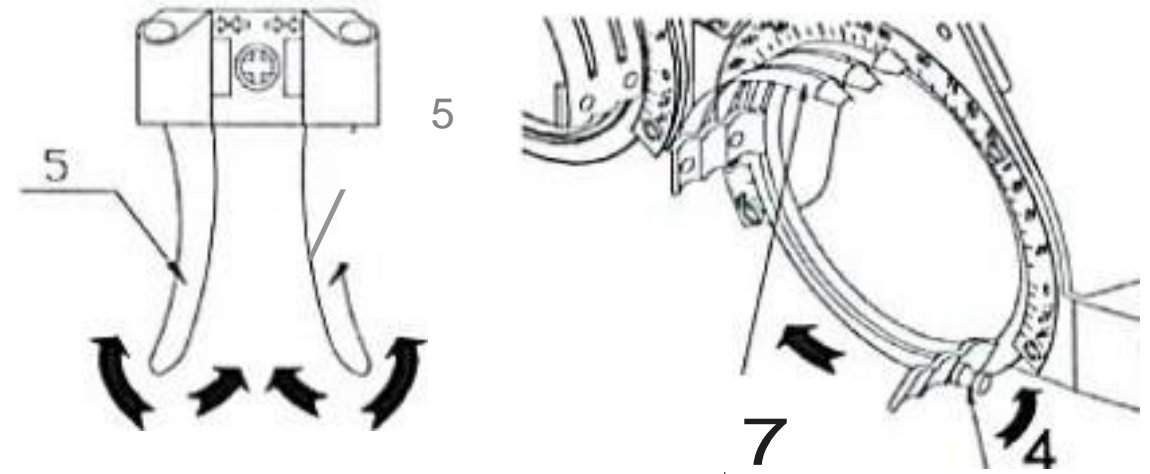
1) P.O. Adjustment

Turn the P.O. adjusting knob (1) to adjust the P.O. This P.O. should be same as the patient's P.O. You can read the PD value on the panel, see the arrowhead' direction.



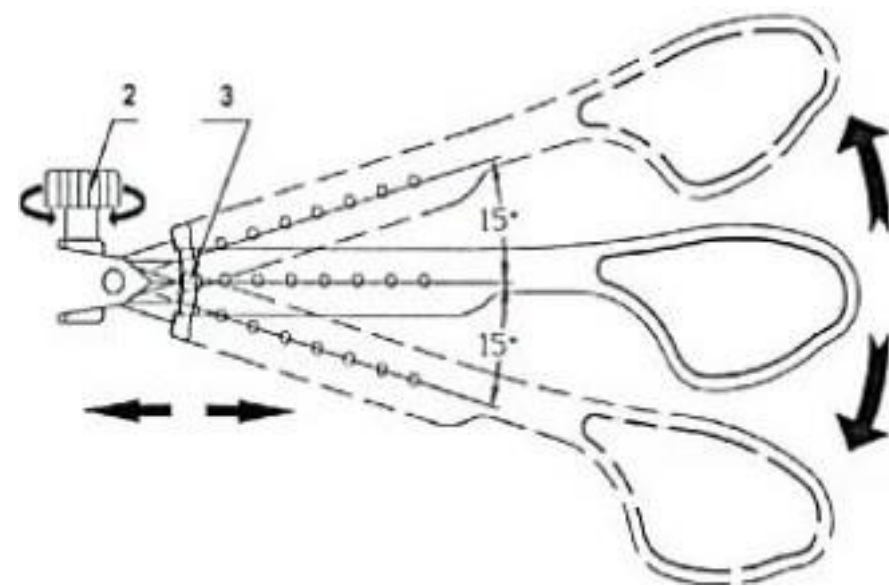
2) Nose pad adjustment

According to the patient's nose, move the nose pad adjusting button (6) to adjust the height of and turn (or slid) the nose pad (5) to adjust the width.



3) Axis of astigmatism and strabismus

Insert the cylindrical or prismatic trial lens to spring piece, turn the knob (4) attached to the rotatable cylinder holder with fingertip.



4) Temple adjustment

Move the temple cover (3) to adjust the temple length and turn the temple-adjusting knob (2) to adjust the temple angle. The adjustable part should be used in the measuring range. Any over range adjustable use may damage the product.

4. Caution

Clean trial frame only with a dry cloth. In case it is very dirty, take some little pure water clean it. Do not use alcohol, or similar lotion!

Don't adjust too hard during operation in case of parts damage or crack.

All the other parts cannot be disinfected with alcohol or similar liquid except the nose rest and temples.

5. Service life

5 years (suggested)