



### TECHNICAL SPECIFICATION

---

Lifting height: 620mm - 820mm

---

Max. load: 65kgs

---

Lifting speed: 13mm/s

---

Table-top: 640mm x 500mm

---

Rated power: 55W

---

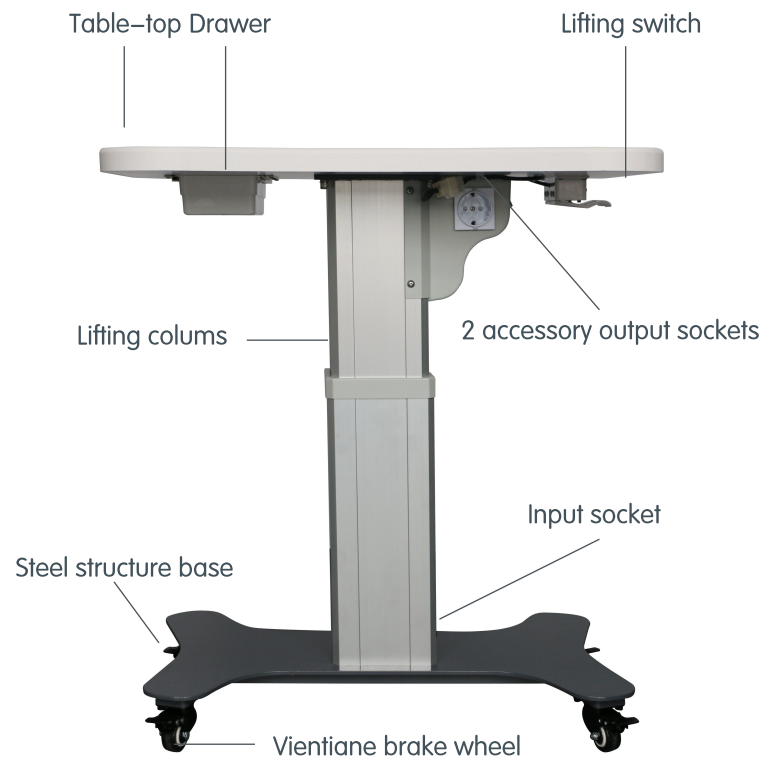
Power supply: 100V-240V, 50/60Hz

---

N.Weight: 20kgs

---





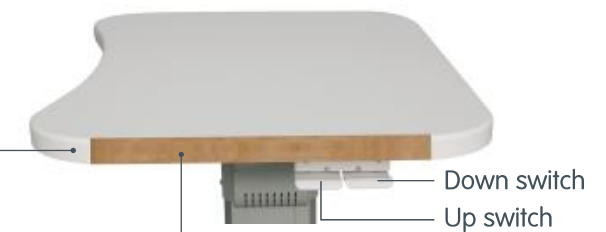
## 「 Linear actuator 」

Energy conservation and environmental protection, reliable performance, sensitive action, smooth running, same push and pull force, good environmental adaptability, low noise, high precision, complete synchronization, fine self-locking performance, direct motor drive.



PVC film veneering and edge coating

Grade-A high density wooden top



## 「 Steel structure base + Vientiane brake wheel 」

Plastic-sprayed surface, enough weight to keep the stability of the complete instrument with load, flexible and durable brake.

